

# R50

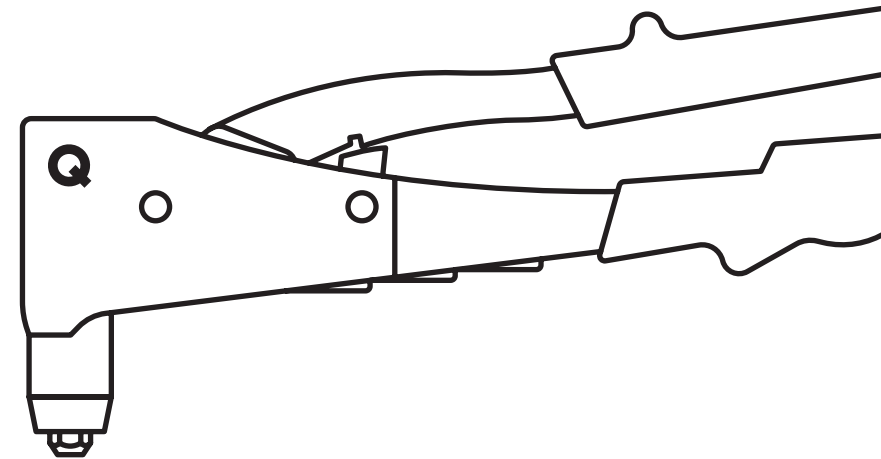
# Q-TOOL R50

→ Discover all  
Hand Tools



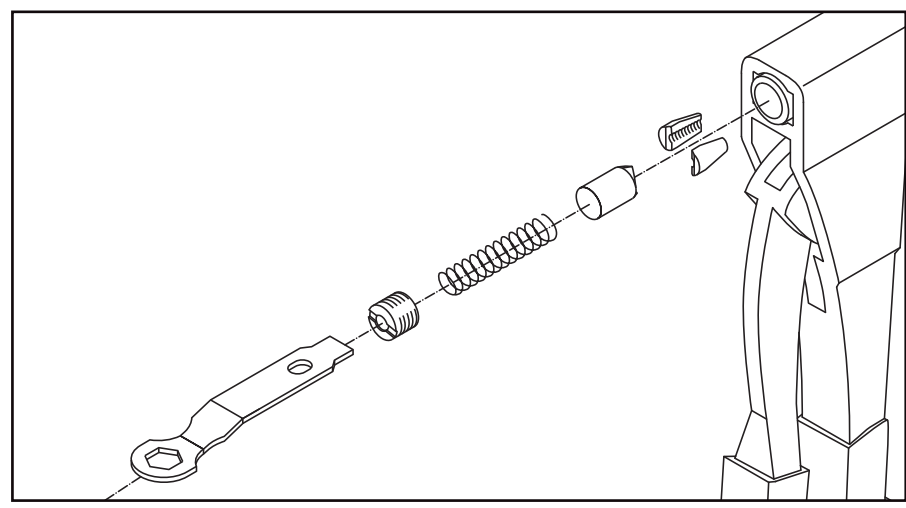
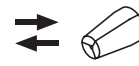
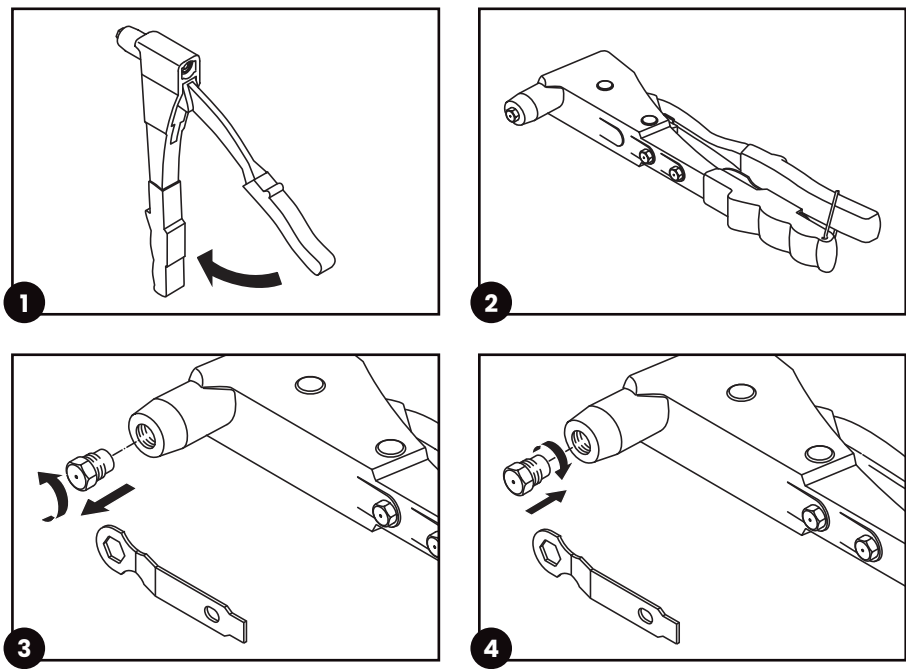
	Metric	Size	Imperial	Nosepiece
	mm		inch	
Standard Rivet	2.4	3	3/32	A [optional]
Standard Rivet	3.0 / 3.2	4	1/8	B
Standard Rivet	4.0	5	5/32	C
Standard Rivet	4.8 / 5.0	6	3/16	D

[qonnect-fasteners.com](http://qonnect-fasteners.com)



Ø 2.4 | 3.0/3.2 | 4.0 | 4.8/5.0 mm

# Q-TOOL



# R50

