

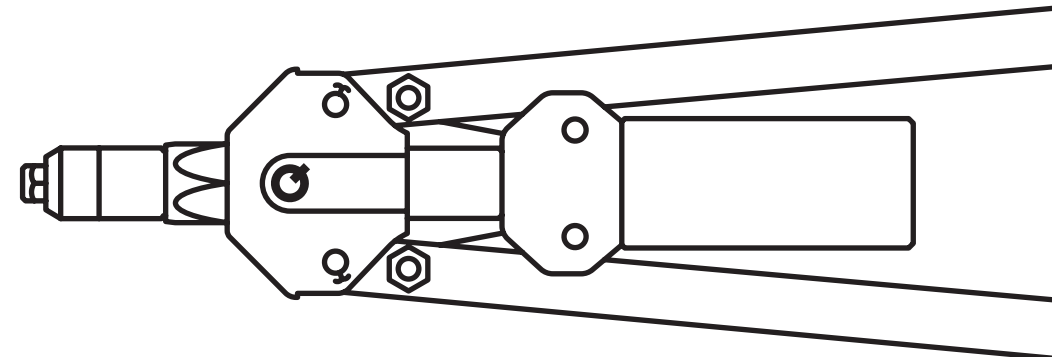
R64

Q-TOOL R64

→ Discover all
Hand Tools



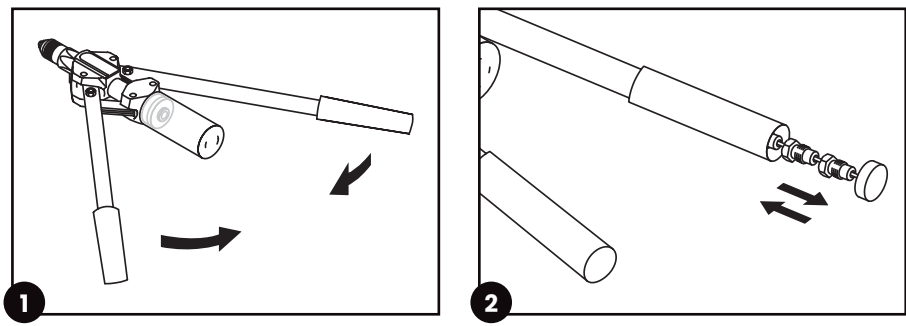
	Metric	Size	Imperial	Nosepiece
	mm		inch	
Standard Rivet	3.0 / 3.2	4	1/8	B
Standard Rivet	4.0	5	5/32	C
Standard Rivet	4.8 / 5.0	6	3/16	D
Standard Rivet	6.0	-	-	E
Standard Rivet	6.4	8	1/4	F



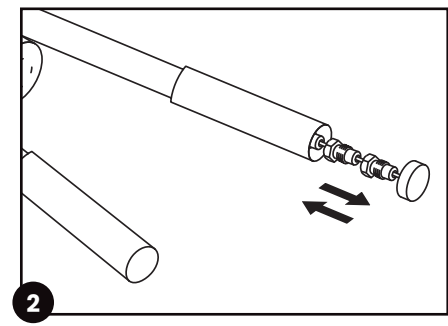
qconnect-fasteners.com

Ø 3.0/3.2 | 4.0 | 4.8/5.0 | 6.0 | 6.4 mm

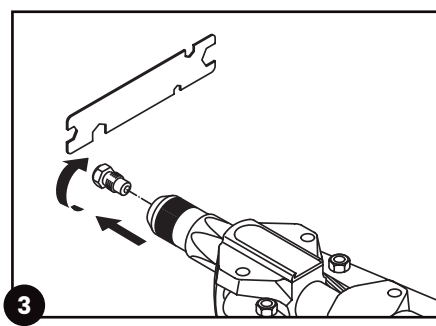
Q-TOOL



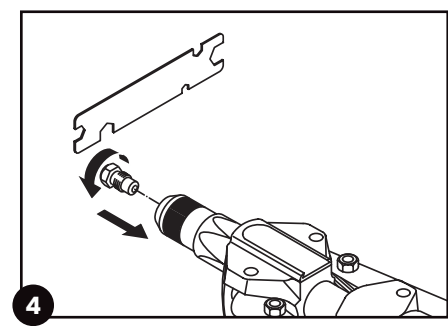
1



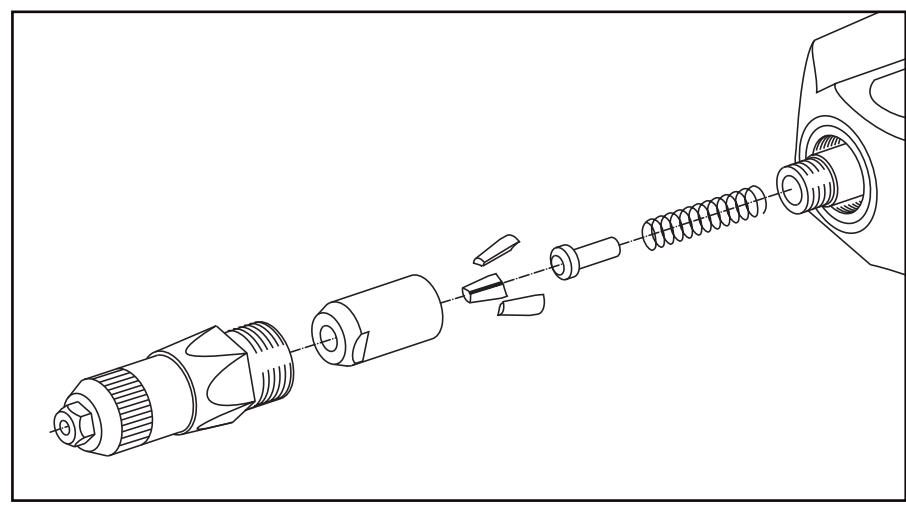
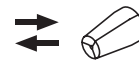
2



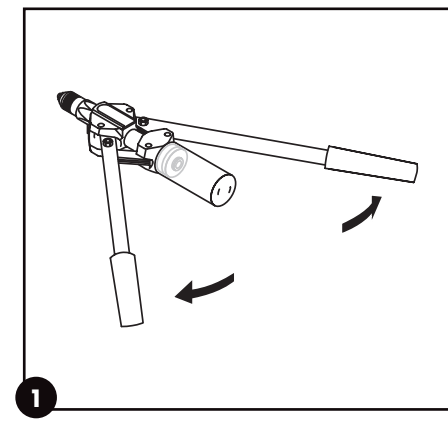
3



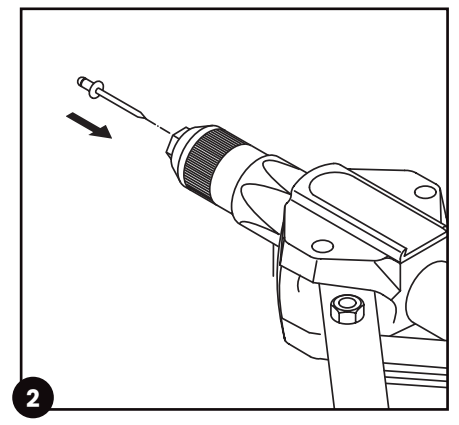
4



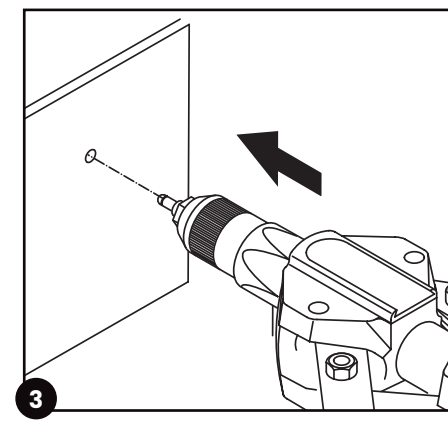
R64



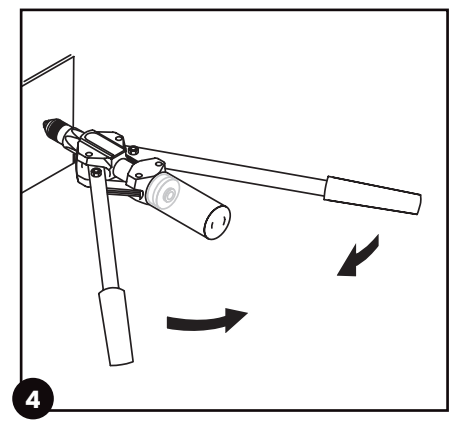
1



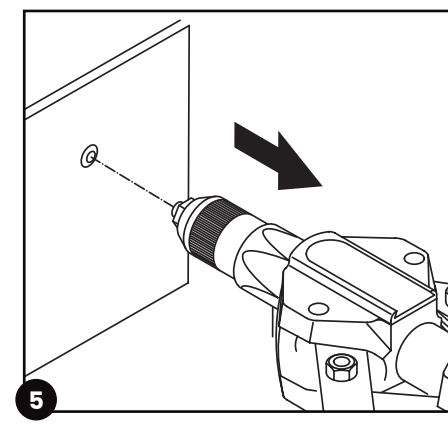
2



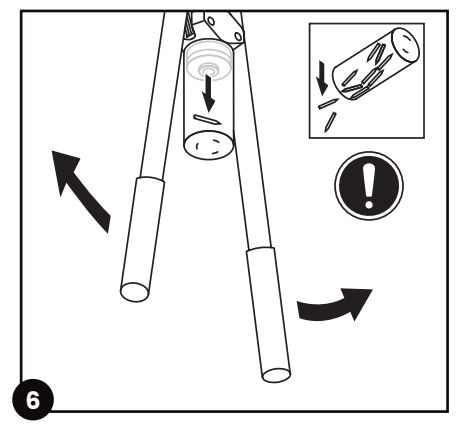
3



4



5



6